

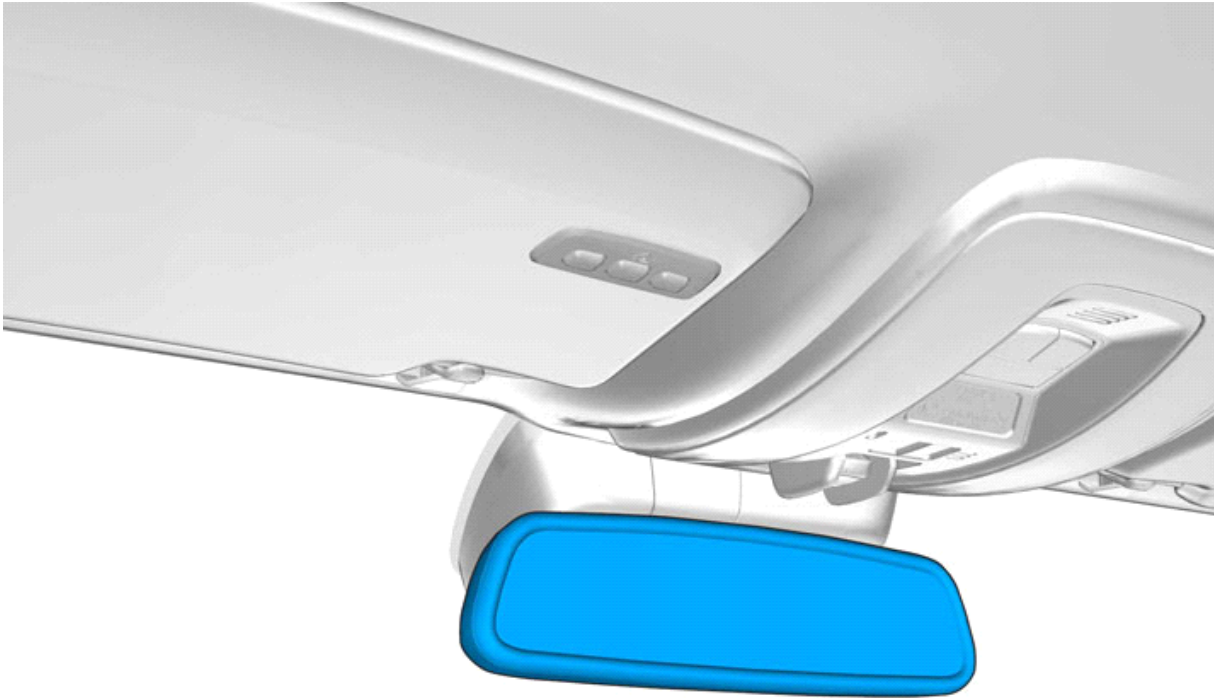


Installation instructions, accessories

Volvo Car Corporation Gothenburg, Sweden

Instruction No	Version	Part. No.
31316437	1.1	30799046, 31352951, 31402730

Mirror, rearview, autodimming



IMG-338611

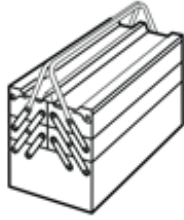


Installation instructions, accessories

Volvo Car Corporation Gothenburg, Sweden

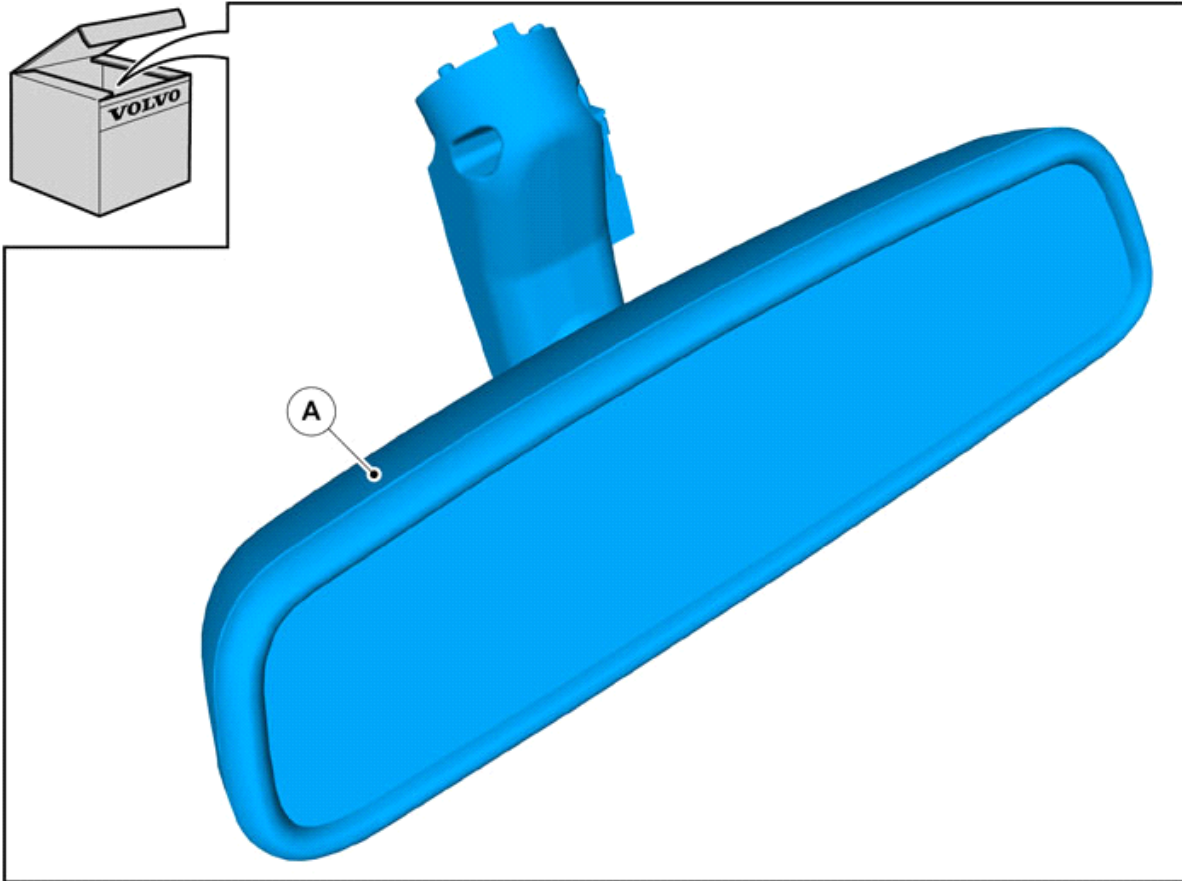
Equipment

VIDA



IMG-242205

A0000162



IMG-338612



Installation instructions, accessories

Volvo Car Corporation Gothenburg, Sweden

Information

1

Read through all of the instructions before starting installation.

Notifications and warning texts are for your safety and to minimise the risk of something breaking during installation.

Ensure that all tools stated in the instructions are available before starting installation.

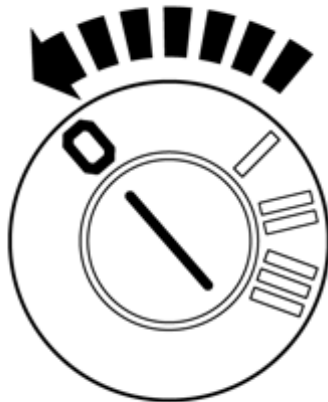
Certain steps in the instructions are only presented in the form of images. Explanatory text is also given for more complicated steps.

In the event of any problems with the instructions or the accessory, contact your local Volvo dealer.

Conditions

2

Set the ignition key to position 0.



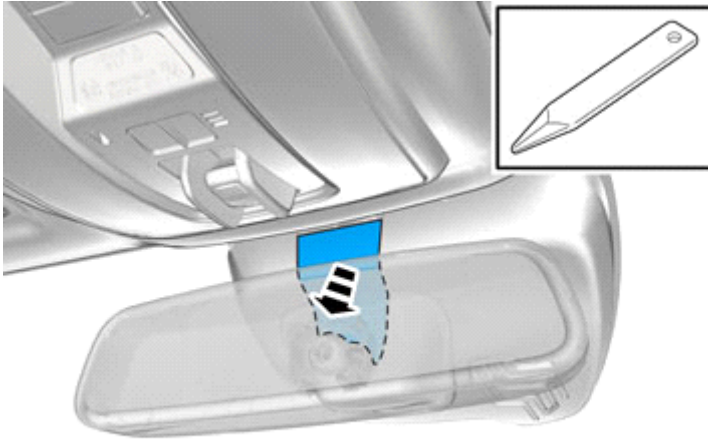
IMG-332193



Installation instructions, accessories

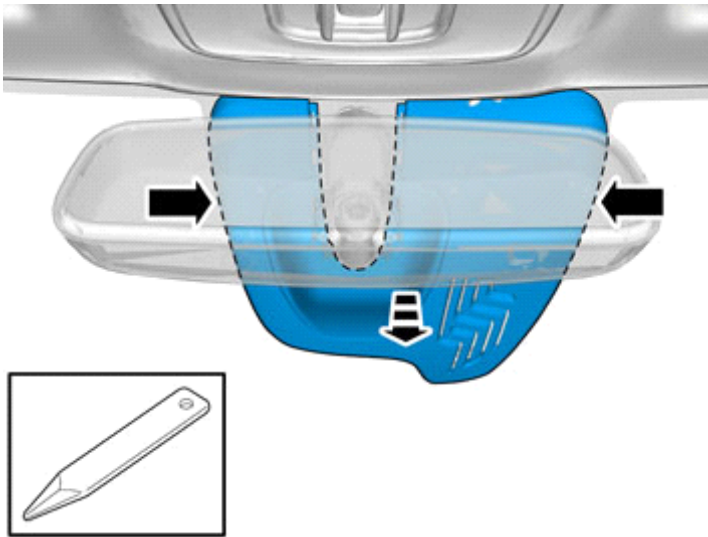
Volvo Car Corporation Gothenburg, Sweden

3



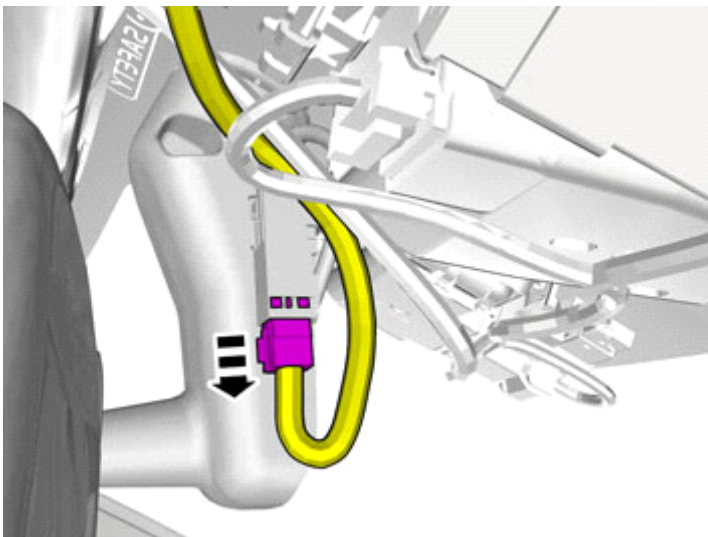
IMG-338613

4



IMG-338614

5



IMG-338615

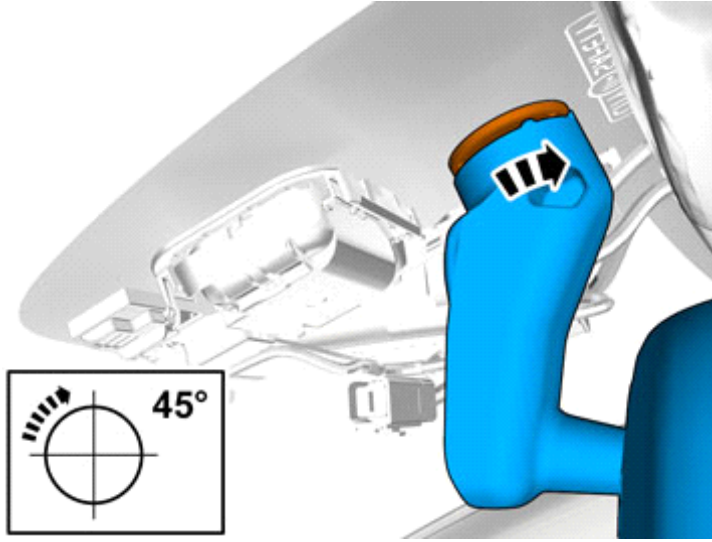
Disconnect any connector(s).



Installation instructions, accessories

Volvo Car Corporation Gothenburg, Sweden

6



IMG-338616

Vehicles with manual dimming interior mirror

7



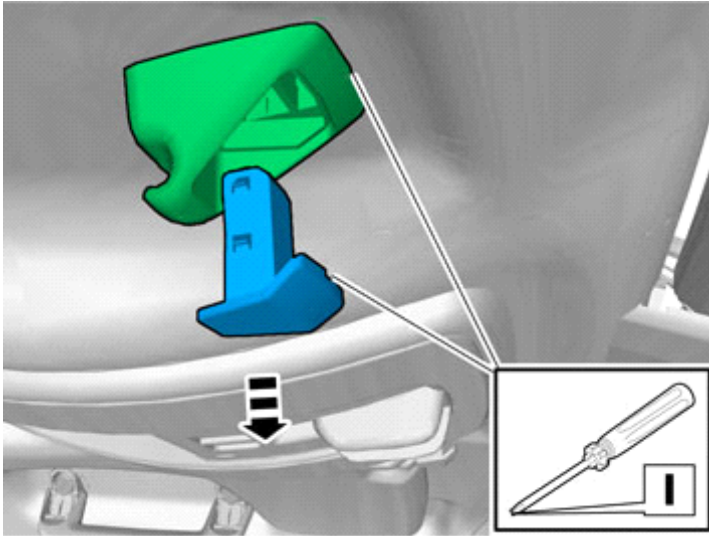
IMG-304689



Installation instructions, accessories

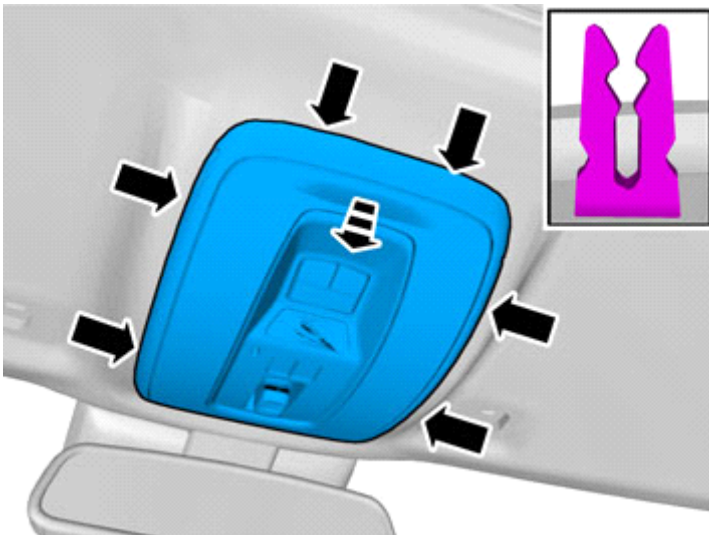
Volvo Car Corporation Gothenburg, Sweden

8



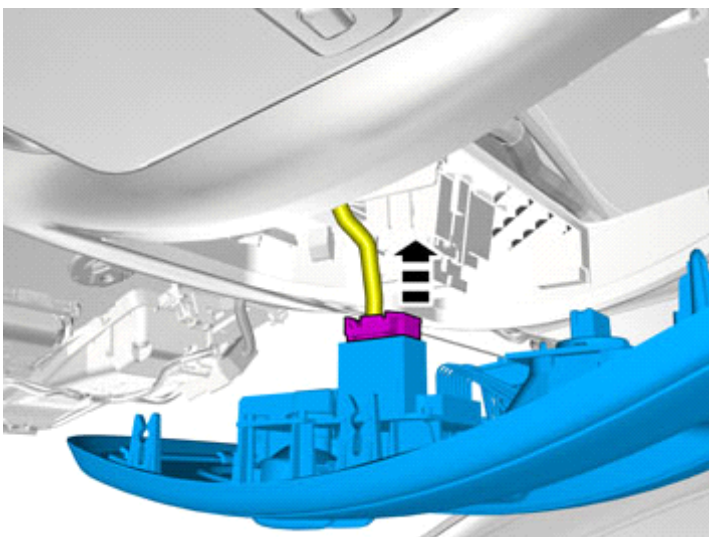
IMG-304690

9



IMG-304691

10



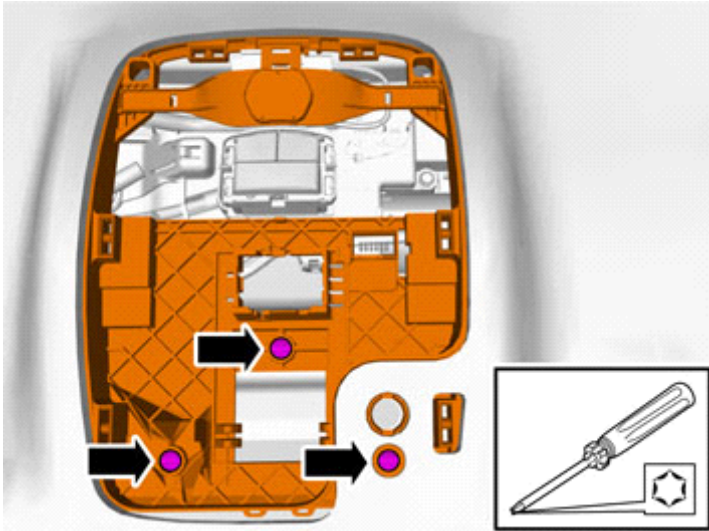
IMG-338621



Installation instructions, accessories

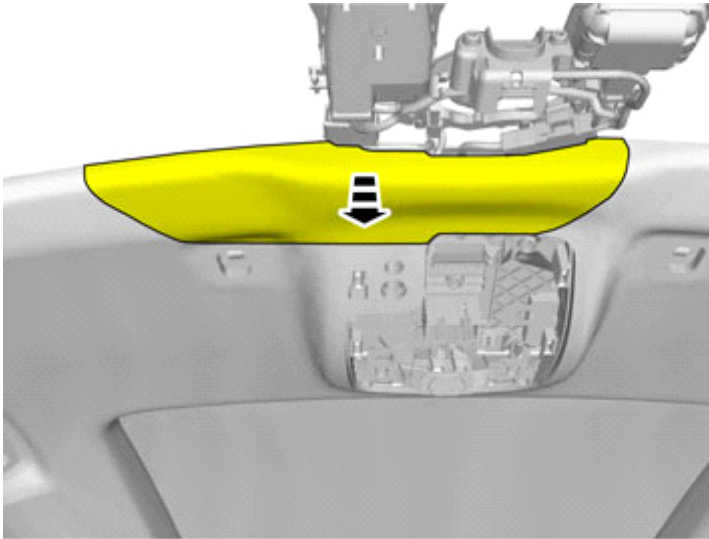
Volvo Car Corporation Gothenburg, Sweden

11



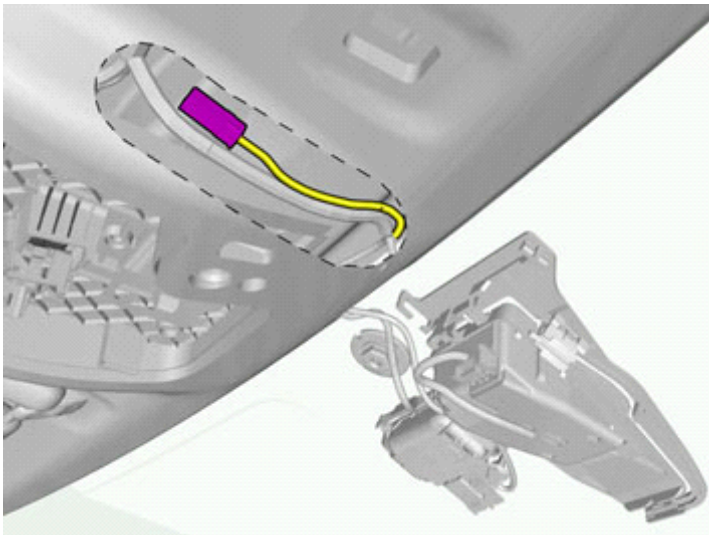
IMG-304692

12



IMG-304693

13



IMG-350152

Locate the pre-routed connector.

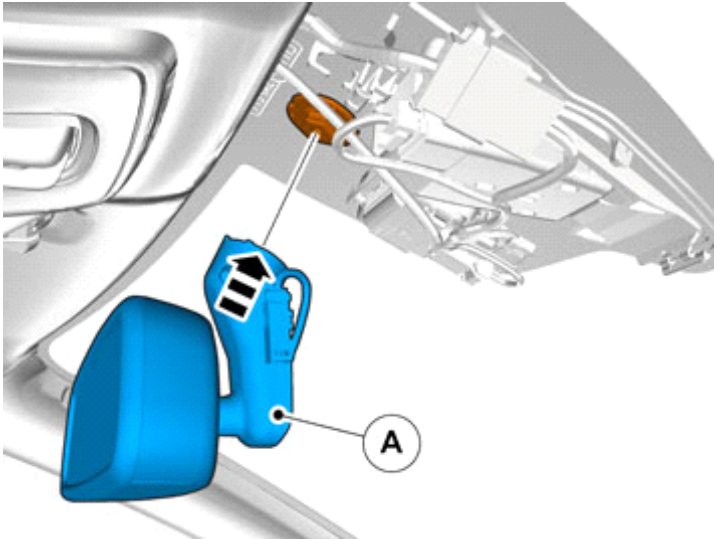


Installation instructions, accessories

Volvo Car Corporation Gothenburg, Sweden

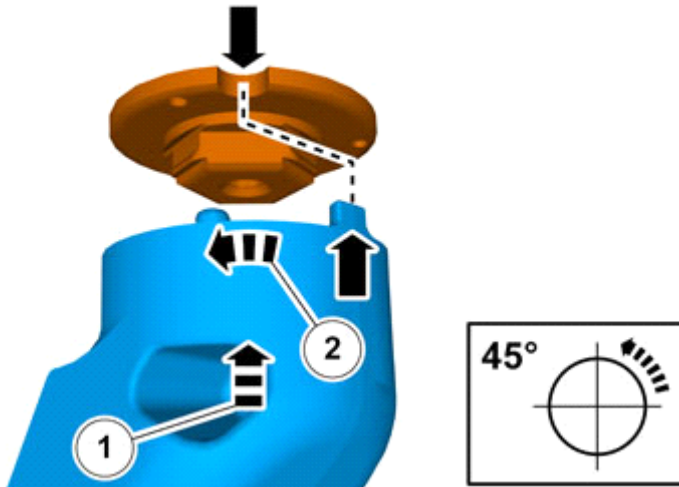
All vehicles

14



IMG-338617

15



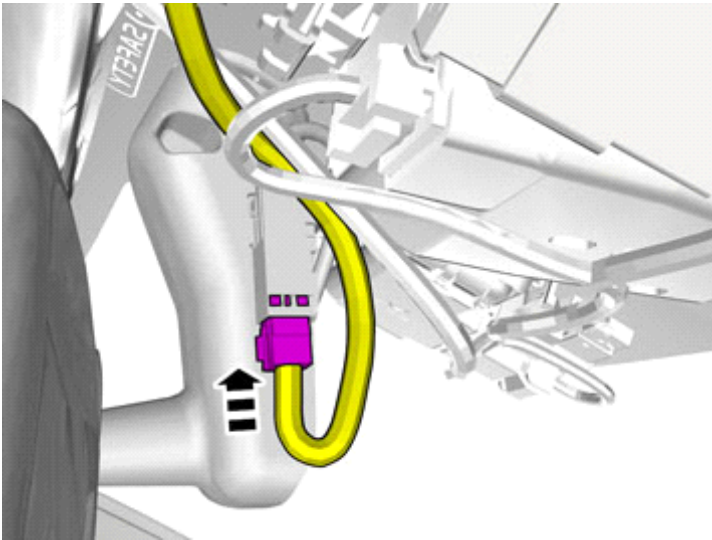
IMG-338619



Installation instructions, accessories

Volvo Car Corporation Gothenburg, Sweden

16

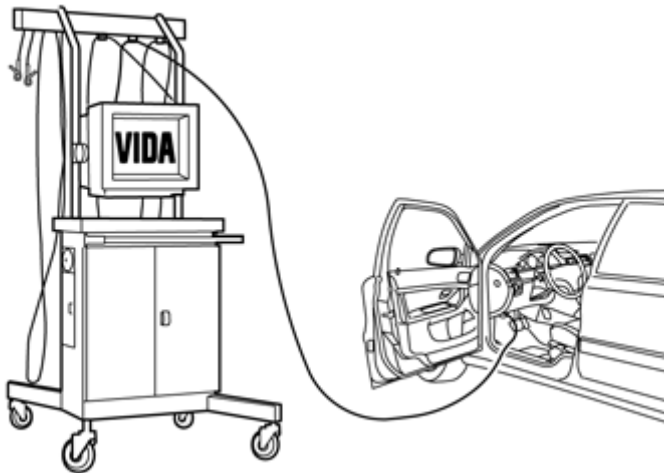


IMG-338620

Connect the connector.

Reinstall the removed parts in reverse order.

17



IMG-242268

Download software (application) for the accessory's function according to the service information in VIDA. See VIDA or the accessories catalogue for software part number.